

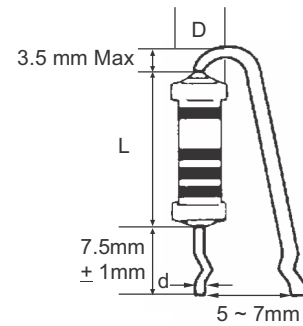
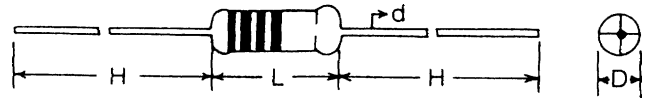
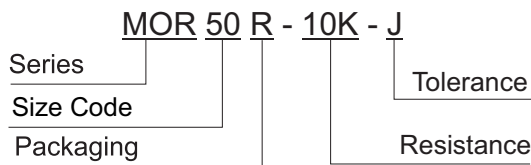
**INTRODUCTION**

Metal Oxide Resistors offer excellent performance in applications where stability and uniformity of characteristics are desired. The complex Oxide materials used gives this series long-term stability, low temperature coefficient and negligible inductance, making it a suitable replacement for carbon composition resistors, high surge/overload capability and flameproof construction make this an alternative for many lower power wire wound resistor.

**FEATURES**

- Flameproof UL94 V-0 silicone coating
- High surge/overload capability
- Wide resistance range
- Coating and mark resist Trichloroethylene, Freon, and other cleaning agents.
- Lower cost alternative to carbon composition resistors.

**PART NUMBER EXAMPLE**



**RESISTANCE**

Ohms	0.5	1.5	1.5K	15K	1.5 Meg	15 Meg
Code	0R5	1R5	1K5	15K	1M5	15M

**PACKAGING**

Packing Code	R	A	B	C	F
Description	Taped & Reeled	Taped & Ammo	Loose (Bulk)	Cut & Form	Radial Form
Special Taping Suffix	T52.T73				

**TOLERANCE**

± %	1.0	2.0	5.0
Code	F	G	J

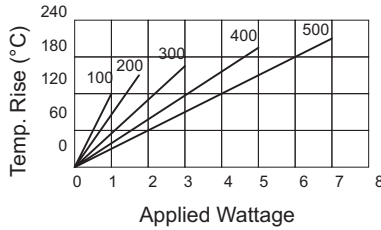
**DIMENSIONS(mm)**

Type	Small Size	Dimension				Standard Tape	Tape & Reel Package	Tape & Box Package
		L	D	H	d			
MOR25	MOR50M	6.5 ± 0.5	2.5 ± 0.5	20	0.5 ± 0.05	T52	5000	5000
MOR50S		8.5 ± 0.5	2.5 ± 0.5	20	0.6 ± 0.10	T52	5000	5000
MOR50	MOR100S	9 ± 1	4 ± 1	20	0.7 ± 0.05	T52	2500	2000
MOR100	MOR200S	11 ± 1	4.5 ± 0.5	30 ± 3	0.8 ± 0.10	T52 / T73	2000	1000
MOR200	MOR300S	16 ± 1	5.0 ± 0.5	30 ± 3	0.8 ± 0.05	T73	1000	1000
MOR300	MOR500S	18 ± 1	6 ± 1	30 ± 3	0.8 ± 0.05	T73	1000	1000
MOR500		25 ± 1	8.5 ± 1	30 ± 3	0.8 ± 0.05	T73		1000*

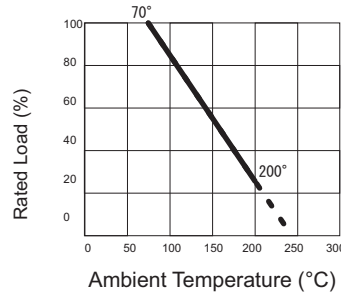
• Special tape to tape size by request

\* Ammo only

### TEMPERATURE CURVE



### DERATING CURVE



### RATING & ELECTRICAL CHARACTERISTICS

Test Items	Condition	MOR25	MOR50(S)(M)	MOR100(S)	MOR200(S)	MOR300(S)	MOR500(S)
Rating Wattage	at 70°C	1/4W	1/2W	1W	2W	3W	5W
Resistance Temp. Coef.	-55°C ~ +200°C	200PPM/°C	200PPM/°C	200PPM/°C	200PPM/°C	200PPM/°C	200PPM/°C
Short Time Overload	2.5X if rated voltage for 5 sec. AC or DC	±1%	±1%	±1%	±1%	±1%	±1%
Voltage Withstanding	700V AC 1 min.	No Change	No Change	No Change	No Change	No Change	No Change
Insulation Resistance	500V megger	100,000MΩ	100,000MΩ	100,000MΩ	100,000MΩ	100,000MΩ	100,000MΩ
Temp. Cycle	-30°C ~ 85°C, 5 Cycles	±1%	±1%	±1%	±1%	±1%	±1%
Load Life	70°C on-off cycles 1000 hrs.	±3%	±3%	±3%	±3%	±3%	±3%
Moisture-proof Load Life	70°C on-off cycles 1000 hrs.	±3%	±3%	±3%	±3%	±3%	±3%
Incombustibility	10X of rated wattage for 5 min.	No Flame	No Flame	No Flame	No Flame	No Flame	No Flame
Max. Working Voltage		250V	250V	350V	350V	500V	750V
Max. Overload Voltage		500V	500V	600V	600V	800V	1000V
Resistance Range		0.22 - 33K	0.5 - 33K	0.5 - 1M	0.5 - 1M	0.5 - 1M	0.5 - 100K

• Cement body types are available See SQ (A, C, H, M, P, T, U, Z) Series.

## TAPE, REEL & AMMO SPECIFICATIONS

Body Diameter	Size Code	A	B	C	D	E	H
< 5mm	T-52	52±1	5±0.5	4.0 min.	0.8 max.	1.2 max.	6±1
>5mm	T-52	52±1	10±0.5	4.0 min.	0.8 max.	1.2 max.	6±1
	T-73	73±1					

Body Diam. (mm)	Reel Packaging	Ammo Packaging	Bulk Packaging
Jumper Wire	10,000	10,000	1,000
1.5 ~ 1.6	5,000	5,000	1,000
2.5 ~ 2.6	5,000	5,000	1,000
3.0	5,000	2,000	1,000
3.5 ~ 4.0	2,500	2,000	1,000
4.5	2,000	2,000	1,000
5.0 ~ 5.5	1,000	1,000	500
6.0 ~ 6.5		1,000	500
8.0 ~ 8.5		1,000	500

