

FEATURES

- High efficiency
- High current capability
- High reliability
- High surge current capability
- Low power loss
- Solder dip 260 °C max. 10 s, per JESD 22-B106

MECHANICAL DATA

- **Package:** DO-214AB (SMC)
Molding compound meets UL 94 V-0 flammability rating, RoHS-compliant
- **Terminals:** Tin plated leads, solderable per J-STD-002 and JESD22-B102
- **Polarity:** Color band denotes cathode end

MAXIMUM RATINGS (T_a=25°C Unless otherwise specified)

PARAMETER	SYMBOL	UNIT	GS5A	GS5B	GS5D	GS5G	GS5J	GS5K	GS5M
Device marking code			GS5A	GS5B	GS5D	GS5G	GS5J	GS5K	GS5M
Repetitive Peak Reverse Voltage	V _{RRM}	V	50	100	200	400	600	800	1000
Average Rectified Output Current @60Hz sine wave, Resistance load, T _a (FIG.1)	I _o	A	5.0						
Forward Surge Current (Non-repetitive) @60Hz Half-sine wave, 1 cycle, T _a =25 °C	I _{FSM}	A	120						
Storage Temperature	T _{stg}	°C	-55 ~+150						
Junction Temperature	T _j	°C	-55 ~+150						

ELECTRICAL CHARACTERISTICS (T_a=25°C Unless otherwise specified)

PARAMETER	SYMBOL	UNIT	TEST CONDITIONS	GS5A	GS5B	GS5D	GS5G	GS5J	GS5K	GS5M
Maximum instantaneous forward voltage drop per diode	V _F	V	I _{FM} =5.0A	1.1						
Maximum DC reverse current at rated DC blocking voltage per diode	I _R	μA	T _a =25°C	5						
			T _a =100°C	50						
Typical junction capacitance	C _j	pF	Measured at 1MHZ and Applied Reverse Voltage of 4.0 V.D.C.	35						

THERMAL CHARACTERISTICS (T_a=25°C Unless otherwise specified)

PARAMETER	SYMBOL	UNIT	GS5A	GS5B	GS5D	GS5G	GS5J	GS5K	GS5M
Thermal Resistance	Junction to ambient	R _{θJ-A}	47 ⁽¹⁾						
	Junction to lead	R _{θJ-L}	13 ⁽¹⁾						

Note(1)

Thermal resistance from junction to ambient and from junction to lead mounted on P.C.B. with 0.6" x 0.6" (16 mm x 16 mm) copper pad areas

PACKAGING INFORMATION

PREFERRED P/N	PACKAGE CODE	UNIT WEIGHT(g)	MINIMUM PACKAGE(pcs)	INNER BOX QUANTITY(pcs)	OUTER CARTON QUANTITY(pcs)	DELIVERY MODE
GS5A~GS5M	Omit for Standard	Approximate 0.254	3000	6000	42000	13" reel

CHARACTERISTICS (TYPICAL)

FIG.1: I_o-T_L Curve

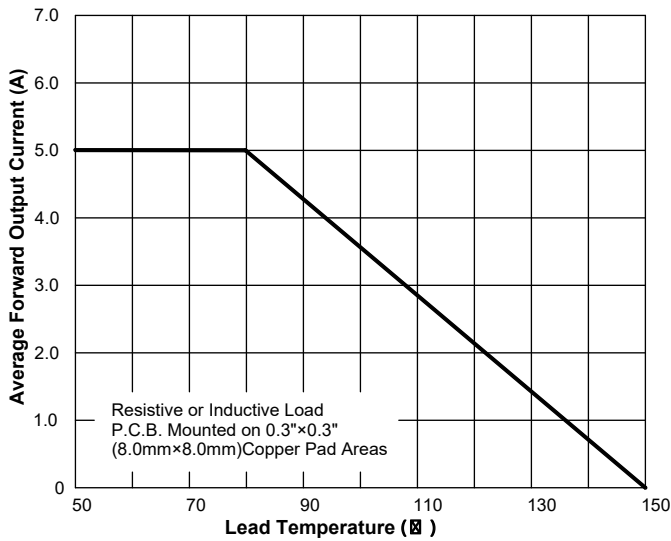


FIG.2: Forward Surge Current Capability

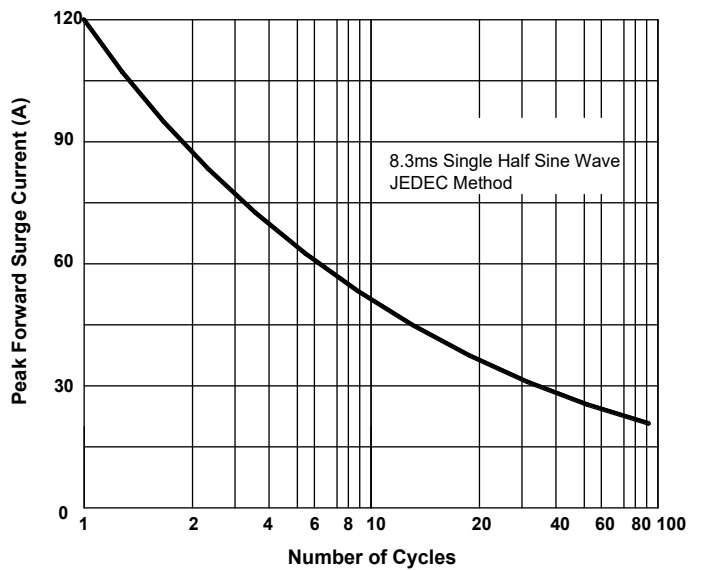


FIG.3: Forward Voltage

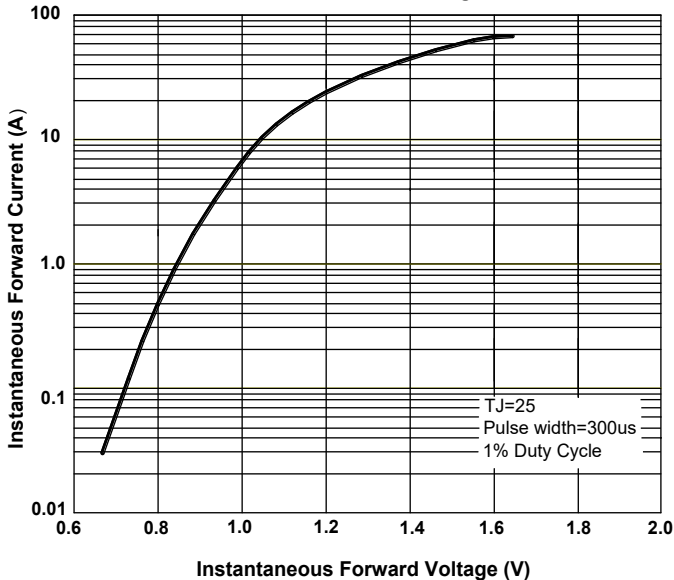
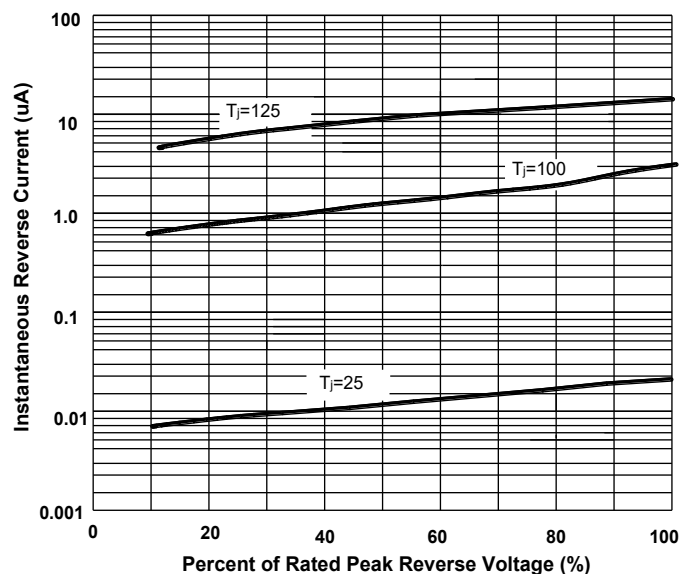
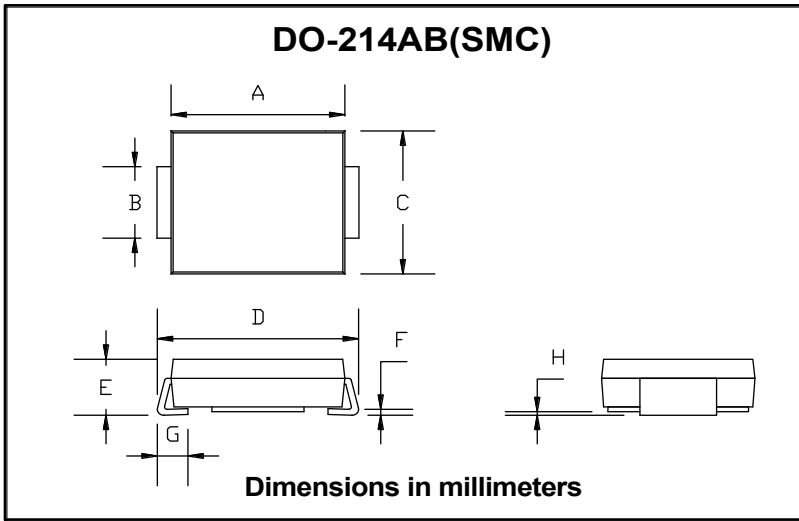


FIG.4: Typical Reverse Characteristics

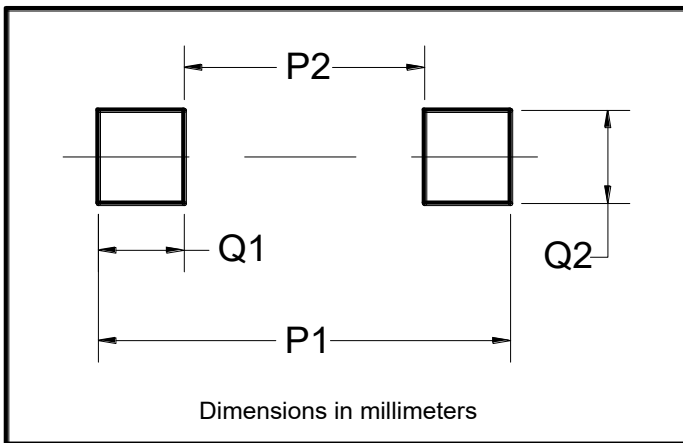


OUTLINE DIMENSIONS



DO-214AB (SMC)		
Dim	Min	Max
A	6.60	7.11
B	2.85	3.27
C	5.59	6.22
D	7.75	8.13
E	1.99	2.61
F	0.15	0.31
G	0.76	1.52
H	0.10	0.20

SUGGESTED PAD LAYOUT



Dim	Typ
P1	9.9
P2	3.84
Q1	3.03
Q2	3.82