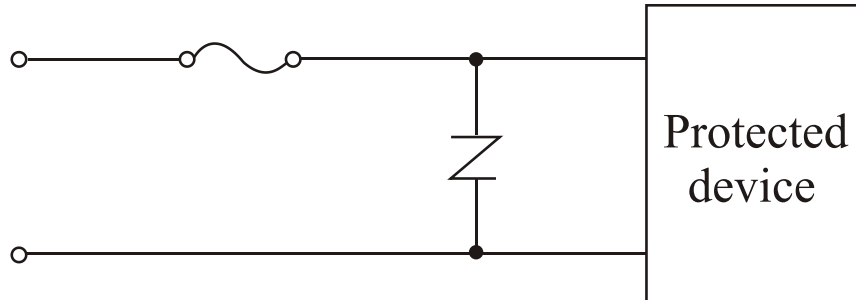
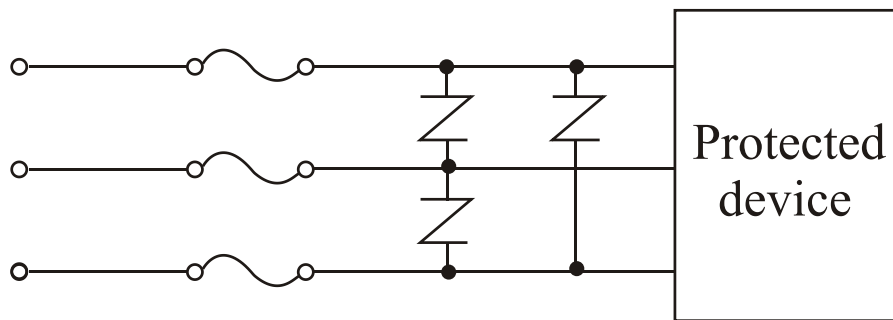


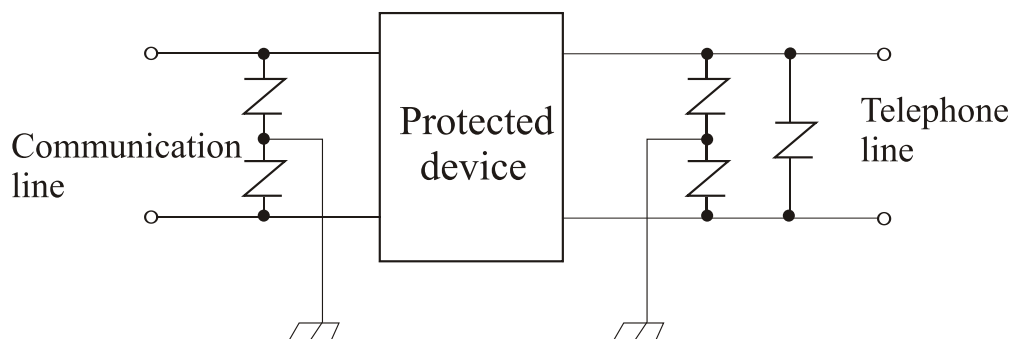
AC/DC single-phase circuit



AC three-phase circuit

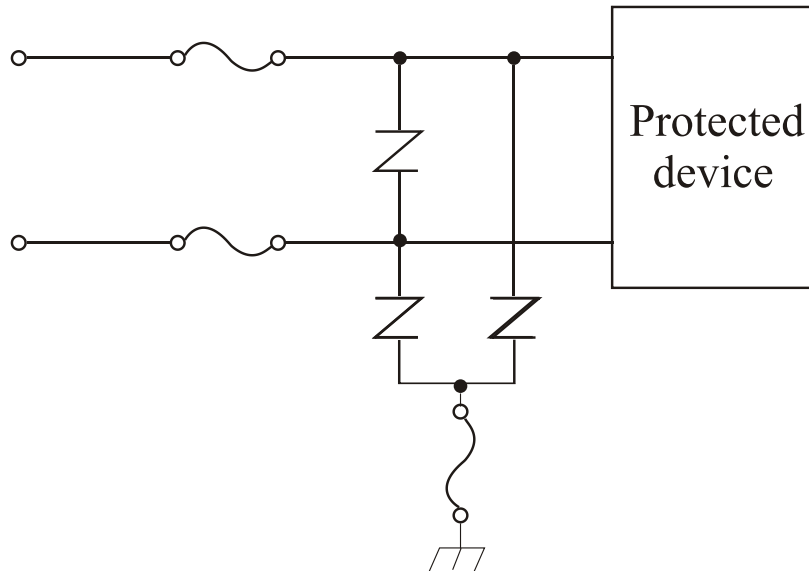


Telecommunication Circuit Protection

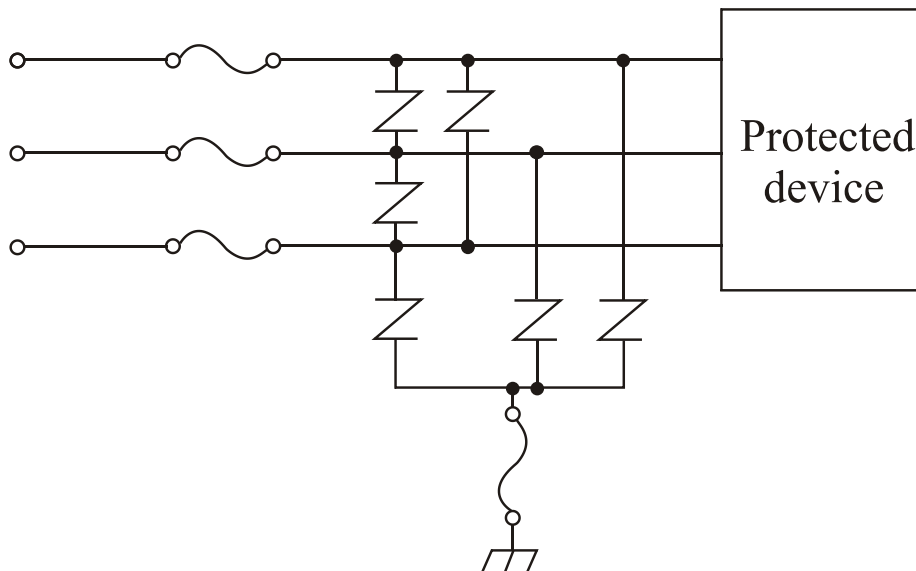


Line and Ground

AC/DC single-phase circuit

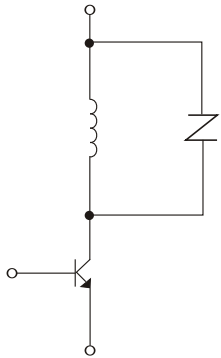


AC three-phase circuit

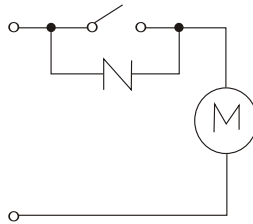


Switching Circuit Protection

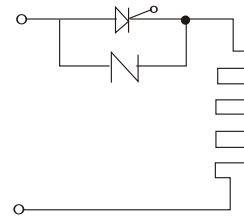
Relay protection



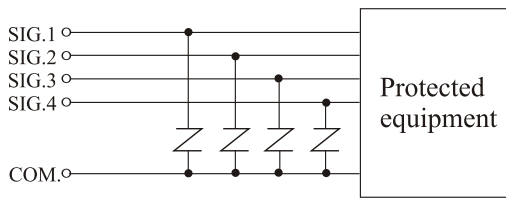
Spark elimination



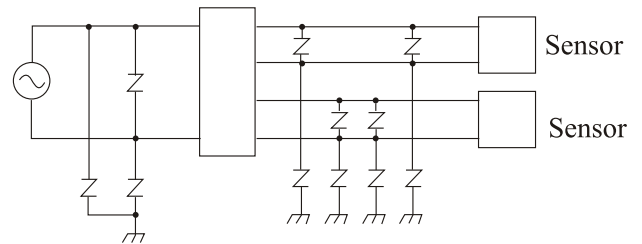
Semiconductor protection



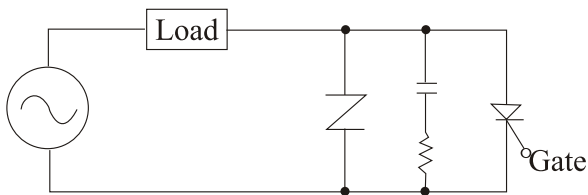
Surge protection of signal line



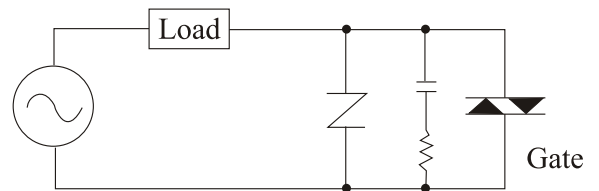
Fire alarm system



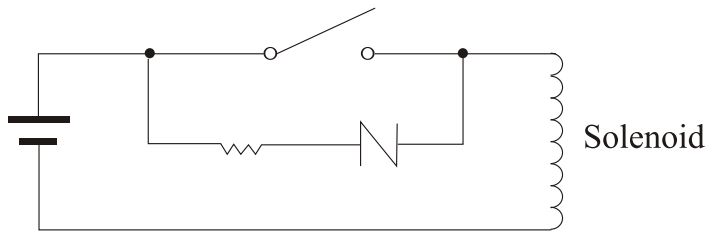
Thyristor protection



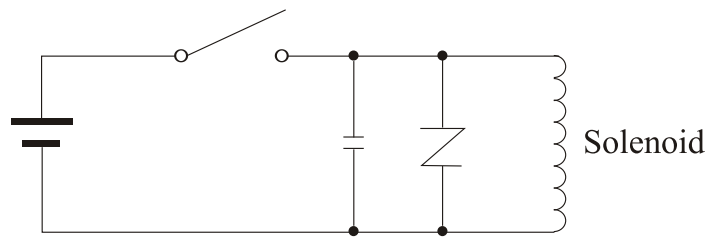
Triac protection



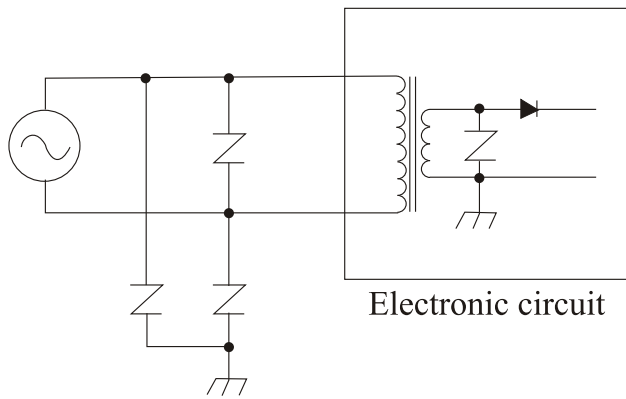
Pontact Protection



Solenoid



Stove & Boiler



Brake & Clutch

